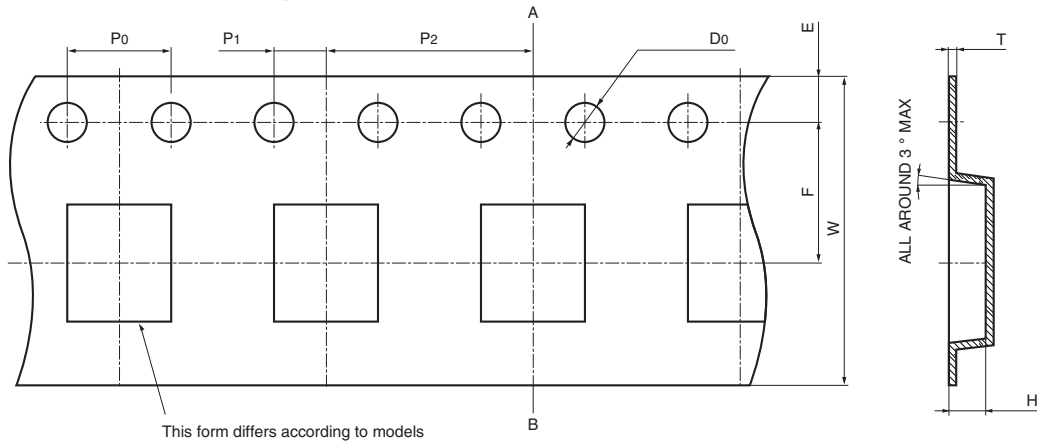


PACKAGE FORM DETAILS

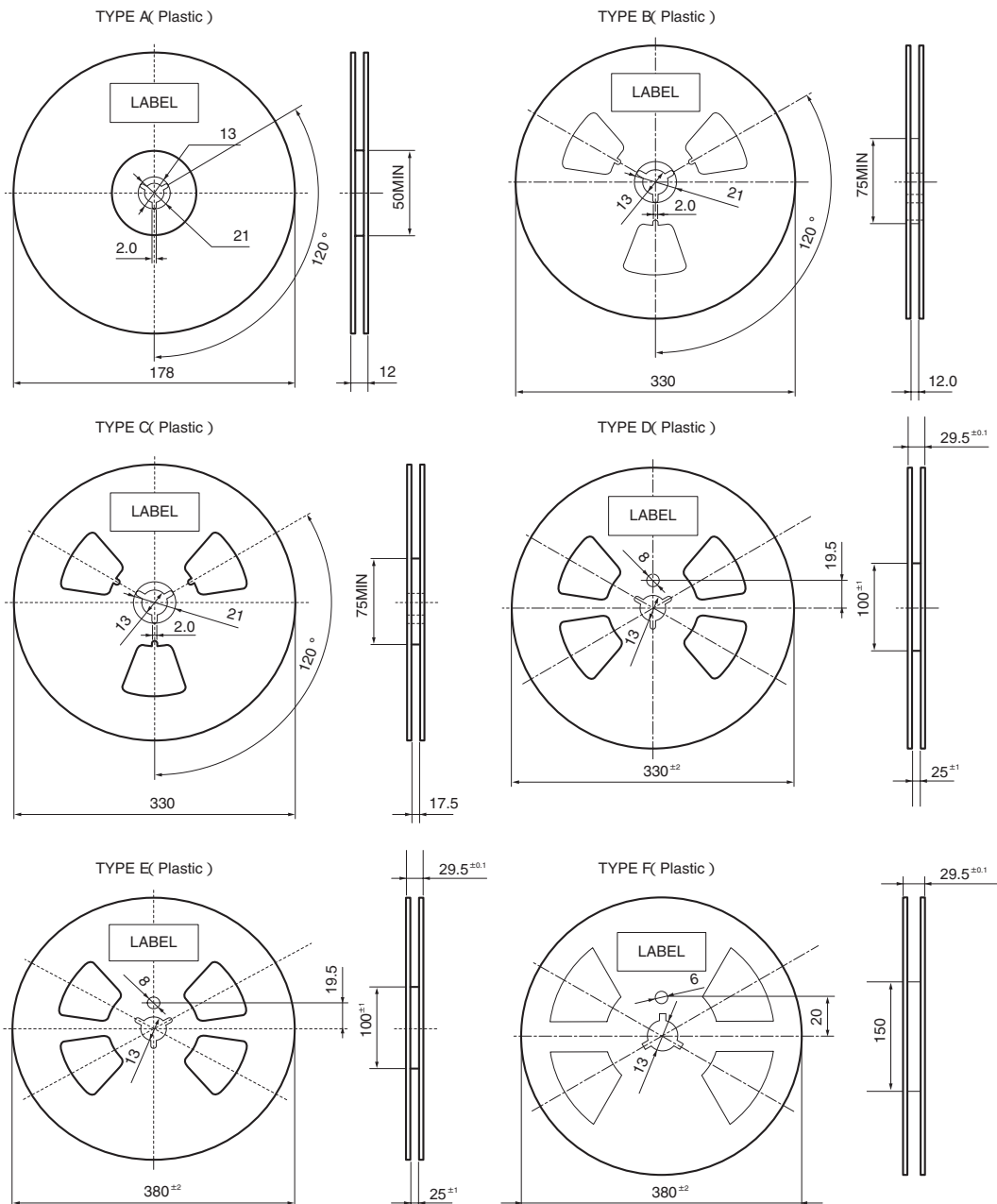
Taping dimensions

Embossed carrier tape dimensions



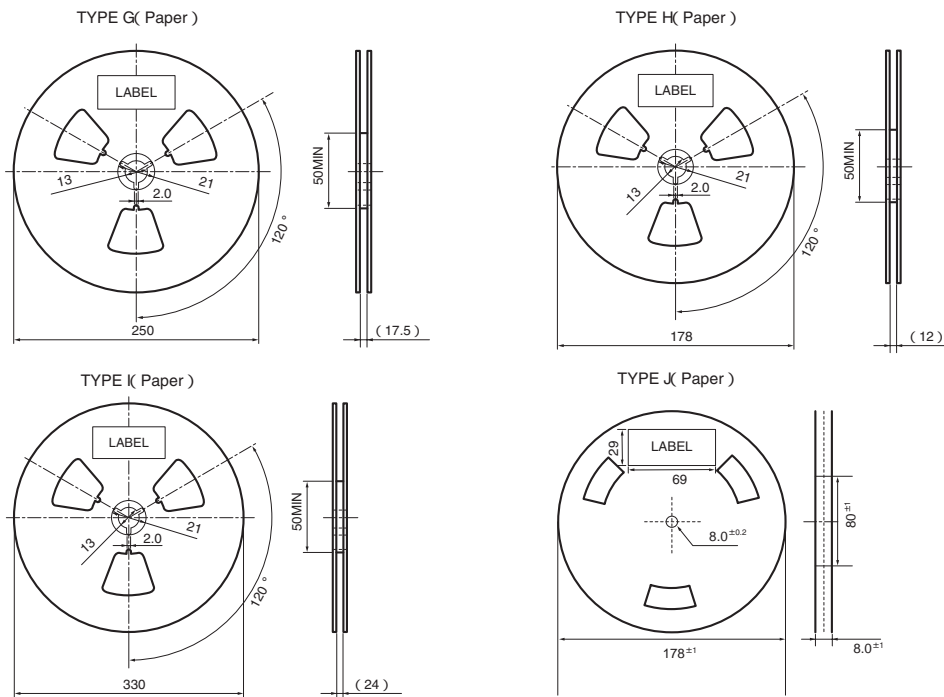
This form differs according to models

Reel size



POWER INDUCTORS

PACKAGE FORM DETAILS



Series vs Embossed carrier tape & Reel type & Quantity/Reel

Series	Embossed carrier (mm)									Reel type	Quantity/Reel
	D ₀	P ₀	P ₁	P ₂	W	E	F	H	T		
CXLD120Z	1.5	4.0	2.0	4.0	12.0	1.75	5.5	1.6	0.3	Type A	2,000pcs
CXLD140Z	1.5	4.0	2.0	4.0	12.0	1.75	5.5	1.6	0.3	Type A	2,000pcs
CXLD180Z	1.5	4.0	2.0	4.0	12.0	1.75	5.5	2.0	0.3	Type A	2,000pcs
CXMD120	1.5	4.0	2.0	8.0	12.0	1.75	5.5	1.5	0.3	Type A	1,000pcs
CXMD0512	1.5	4.0	2.0	12.0	12.0	1.75	5.5	1.4	0.3	Type B	3,500pcs
CXMD0612	1.5	4.0	2.0	12.0	16.0	1.75	7.5	1.4	0.3	Type C	3,500pcs
CXMD0622	1.5	4.0	2.0	12.0	16.0	1.75	7.5	2.4	0.3	Type C	2,000pcs
CXFU0208	1.5	4.0	2.0	8.0	12.0	1.75	5.5	1.3	0.3	Type B	5,000pcs
CXFU0210	1.5	4.0	2.0	8.0	12.0	1.75	5.5	1.3	0.3	Type B	5,000pcs
CXTU0212	1.5	4.0	2.0	8.0	12.0	1.75	5.5	1.7	0.3	Type B	4,000pcs
CXTU0214	1.5	4.0	2.0	8.0	12.0	1.75	5.5	1.7	0.3	Type B	4,000pcs
CXTU0214L	1.5	4.0	2.0	8.0	12.0	1.75	5.5	1.7	0.3	Type B	4,000pcs
CXFU0312	1.5	4.0	2.0	8.0	12.0	1.75	5.5	1.5	0.3	Type B	5,000pcs
CXAD120Z	1.5	4.0	2.0	8.0	12.0	1.75	5.5	1.5	0.3	Type B	5,000pcs
CXAD180Z	1.5	4.0	2.0	8.0	12.0	1.75	5.5	2.1	0.3	Type B	3,500pcs
CXRD150	1.5	4.0	2.0	12.0	16.0	1.75	7.5	1.6	0.3	Type C	3,000pcs
CXRD190	1.5	4.0	2.0	12.0	16.0	1.75	7.5	2.0	0.3	Type C	2,500pcs
CXRD280	1.5	4.0	2.0	12.0	16.0	1.75	7.5	3.0	0.3	Type C	1,500pcs
CXKH0612	1.5	4.0	2.0	12.0	16.0	1.75	7.5	1.4	0.3	Type C	3,500pcs
CXRD1015	1.5	4.0	2.0	16.0	24.0	1.75	11.5	1.7	0.4	Type D	2,000pcs
CXRD1024	1.5	4.0	2.0	16.0	24.0	1.75	11.5	2.6	0.4	Type D	1,500pcs
CXLP100	1.5	4.0	2.0	12.0	16.0	1.75	7.5	1.5	0.3	Type G	1,500pcs
CXLP120	1.5	4.0	2.0	12.0	16.0	1.75	7.5	1.5	0.3	Type G	1,500pcs
CXLP150	1.5	4.0	2.0	12.0	16.0	1.75	7.5	1.8	0.3	Type G	1,500pcs