

COMPLEX STYLE EMI FILTERS · BLOCK TYPE EMI FILTERS [DNM Series]

The DNM series block type EMI filters are highly efficient EMI filters that combined feed through capacitors, multilayer ceramic capacitors with large capacitance and ferrite bead inductors. The filters suppress EMI efficiently in a wide frequency band, in common DC power supply lines that require a large current.

■ Features

- Since current channels have no internal connection, the EMI filters achieve large allowable current, and can be used for DC lines up to 15A.
- It offers high insertion loss in a wide frequency band, combining feed through capacitors with high self-resonating frequency, multilayer ceramic capacitors with large capacitance and ferrite bead inductors.
- It offers efficient EMI control by 1 block for both plus and minus lines.
- RoHS Compliant.

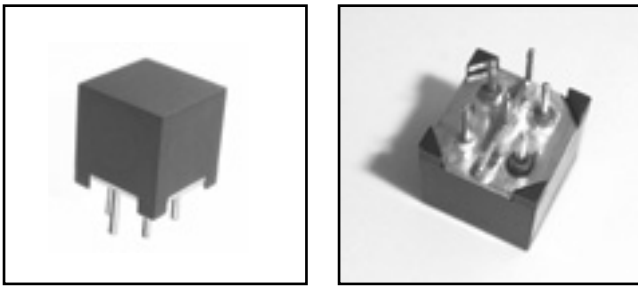
■ Applications

- DC power lines of industrial equipment, computers and peripheral equipment.

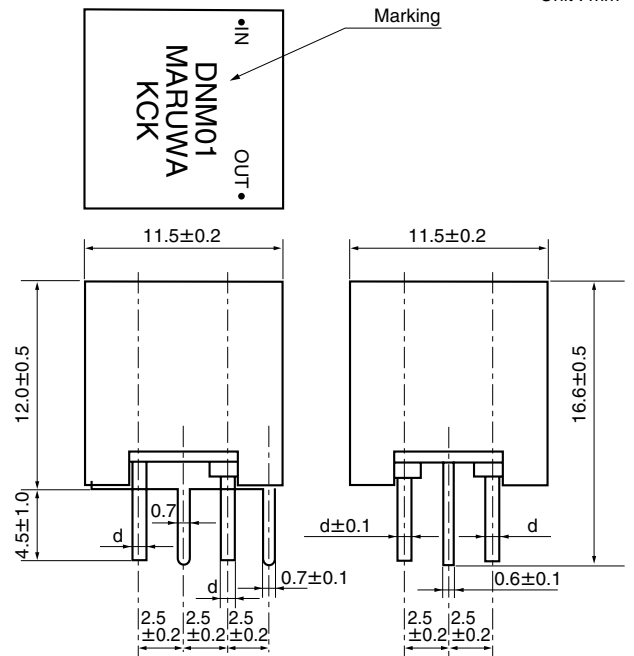
■ Part Number List and Rating

Part number	Rated voltage	Rated current	DC resistance	Temp. range	Storage temperature range	Marking	Terminal dia. d (mm)
DNM01-S	50Vdc	10A	under 5mΩ	-25~+105°C	-40~+125°C	DNM01 MARUWA KCK	0.8
DNM02-S	250Vdc	10A				DNM02 MARUWA KCK	
DNM03-S	50Vdc	15A				DNM03 MARUWA KCK	1.0

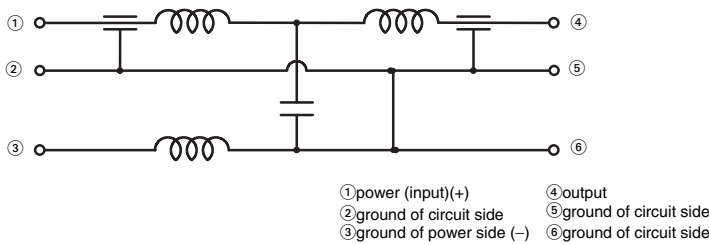
■ Appearance



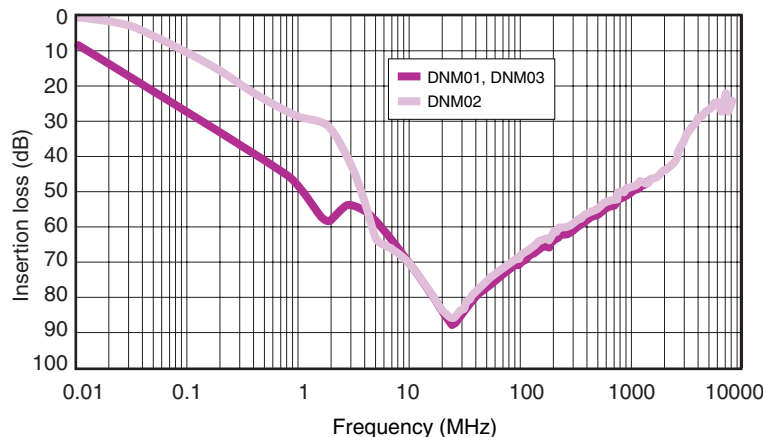
■ Dimensions



■ Equivalent circuit



■ Insertion loss



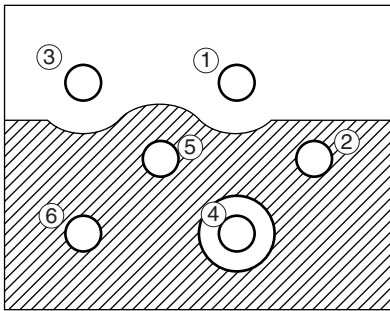
COMPLEX STYLE EMI FILTERS · BLOCK TYPE EMI FILTERS [DNM Series]

■Soldering

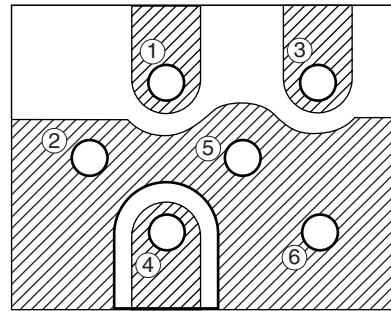
1.basic design

recommended P.C.B pattern diagram
Please use both side of P.C.B.

(1) Top side



(2) Bottom side



matters that required attention for soldering

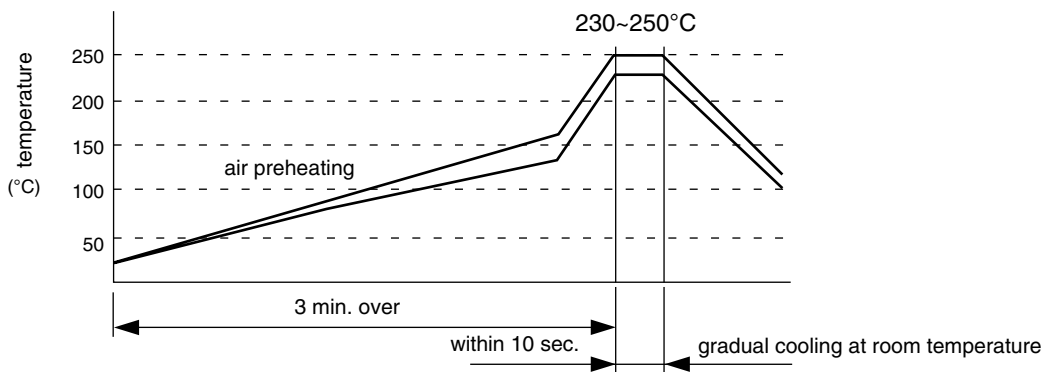
Please pay attention to the following points when soldering on a print board.

- (1) Please use every termination and take ground as largely as possible.
(The parts may not perform well depending on how the ground is taken.)
- (2) On the occasion of installation, please do a soldering with having it inserted surely to a root of a filter termination.
- (3) Please wire it so that a ground of circuit side(termination , ,) is not connected to a ground of power side(termination) in other parts either.

2. general cautions for soldering

(1) For soldering, please refer to the soldering curves below.

flow soldering recommended conditions



■package qty.

minimum unit	100pcs
maximum qty. per box	1,200pcs